

Illustration - Type - E

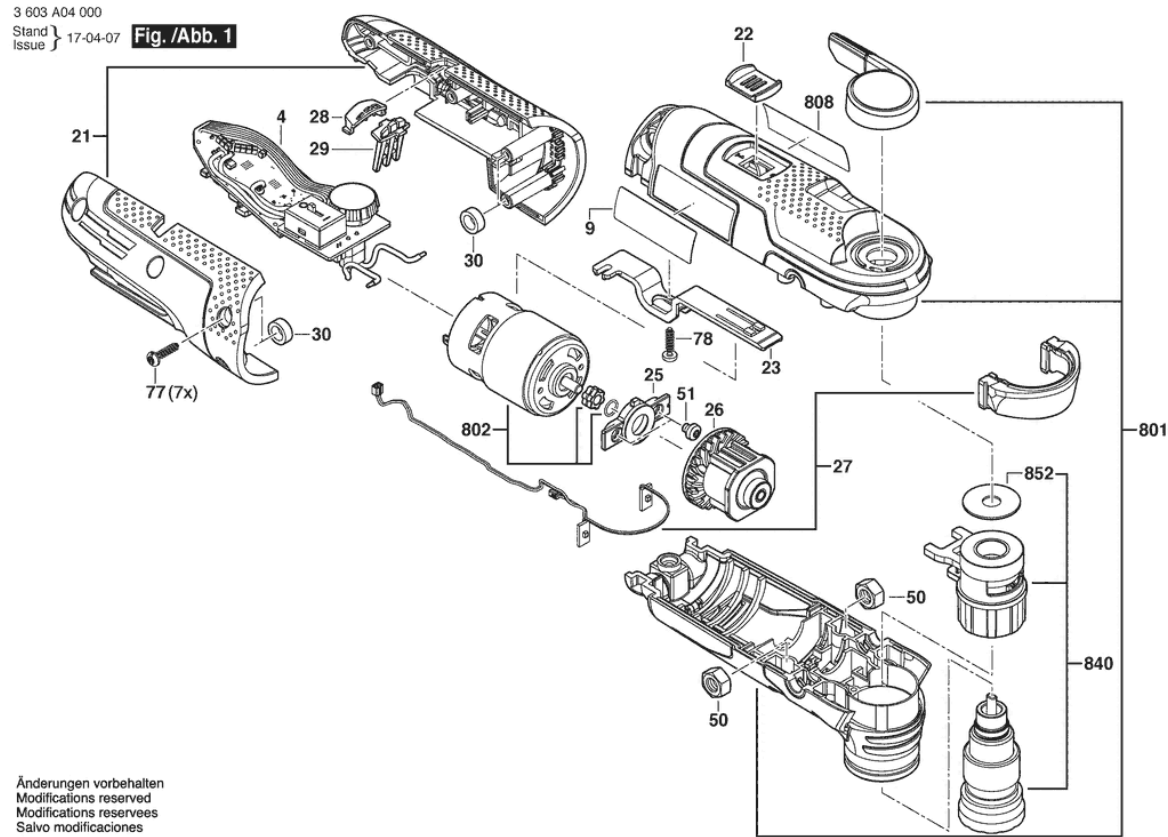
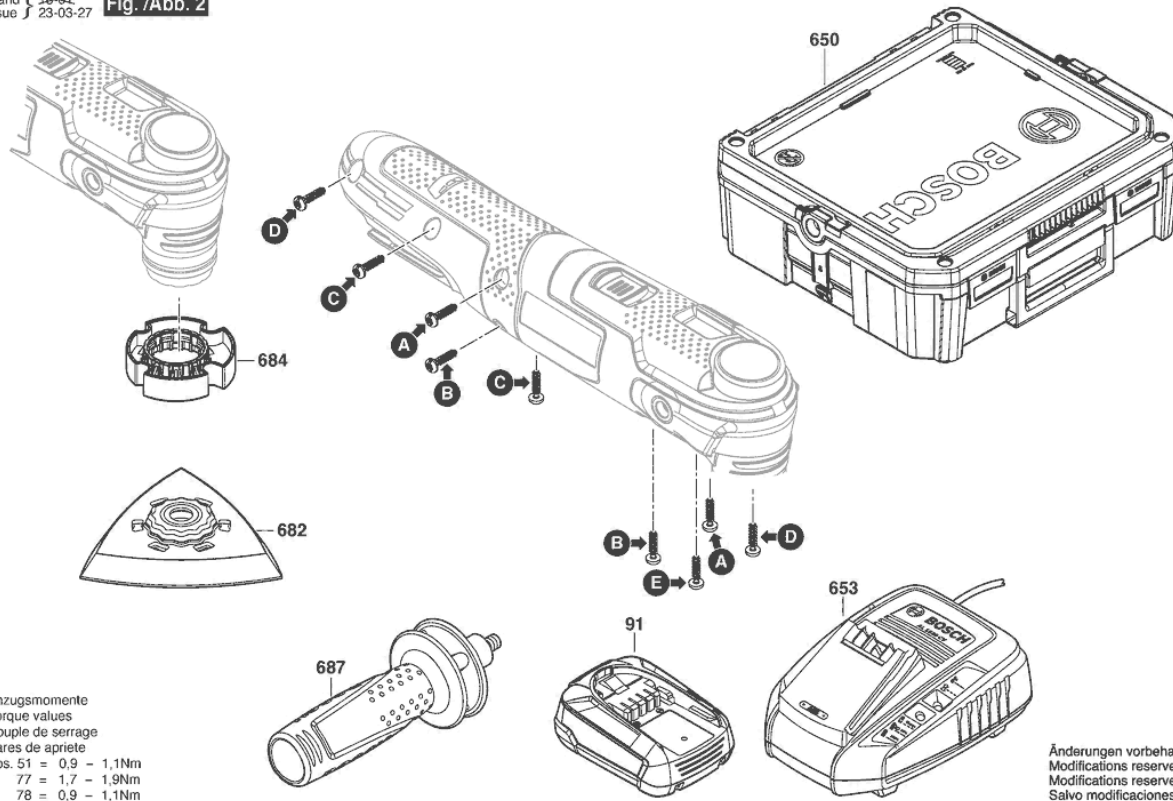


Illustration - Type - E

3 603 A04 000
 Stand | 19-01
 Issue | 23-03-27 **Fig./Abb. 2**



Anzugsmomente
 Torque values
 Couple de serrage
 Pares de apriete
 Pos. 51 = 0,9 - 1,1Nm
 77 = 1,7 - 1,9Nm
 78 = 0,9 - 1,1Nm

Änderungen vorbehalten
 Modifications reserved
 Modifications reserves
 Salvo modificaciones

Spare parts list

| Item | Part Number | Description | Illustration |
|------|---------------|--|--------------|
| 4 | 1 600 A00 PG5 | Electronic Module | 1 |
| 9 | 1 601 11C 20A | Manufacturer's nameplate 18 ADVANVEDMULTI | 1 |
| 21 | 1 605 806 5D3 | Housing | 1 |
| 22 | 2 609 005 541 | Slide Button | 1 |
| 23 | 1 600 A01 003 | Slider | 1 |
| 25 | 1 600 A00 K1E | Flange | 1 |
| 26 | 1 600 A00 MW8 | Clutch Housing | 1 |
| 27 | 1 600 A00 K1F | Light Unit | 1 |
| 28 | 6 082 763 10K | Cover | 1 |
| 29 | 1 600 A00 ZT1 | Lens | 1 |
| 30 | 1 600 A00 H25 | Damping Ring | 1 |
| 50 | 2 915 011 009 | Hex Nut DIN 934-M8-8-A | 1 |
| 51 | 2 603 414 049 | Torx SH cap screw M4X8-4,8-Z | 1 |
| 77 | 2 603 490 022 | Screw 4X16 | 1 |
| 78 | 2 609 110 201 | Torx Flat-Head Screw 3X16 | 1 |
| 801 | 1 605 806 5JK | Housing | 1 |
| 802 | 1 607 022 66P | DC motor | 1 |
| 808 | 1 601 11A 4ML | Nameplate | 1 |
| 840 | 1 600 A00 Y5F | Toolholder | 1 |
| 852 | 1 607 000 C6D | Felt Disc | 1 |
| 91 | 1 607 A35 0RU | Battery Pack | 2 |
| 650 | 1 600 A01 3NM | Carrying Case | 2 |
| 653 | 2 607 225 965 | Fast Charger | 2 |
| 653 | 2 607 225 967 | Charger GB AL 1830 CV 230/14,4-18V 1H | 2 |
| 653 | 2 607 225 969 | Charger | 2 |
| 682 | 1 600 A00 8LT | Sander Plate | 2 |
| 684 | 1 600 A00 87V | Depth gauge | 2 |
| 687 | 1 602 025 07V | Handle | 2 |